

# Schneider Kreuznach

110mm LS f/2.8

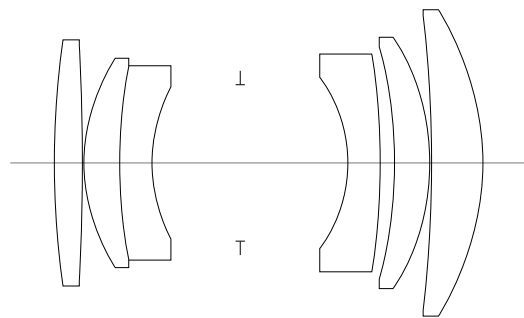


## Specifications

Aperture range	f/2.8- f/22
Angle of view	29°
Focusing system	Auto Focus / Manual
Filter	72mm
Optical construction	6 elements 5 groups
Lens hood	Bayonet
Flash sync	Up to 1/1600
LS shutter speed max.	1/1600s
XF FPS shutter speed max.	1/4000s
Weight	635g 1.40lb
Equivalent to 35mm	68mm



## Lens Elements



6 elements, 5 groups



### Focus range

Min. focus distance	90cm / 2.90ft
Maximum magnification ratio	0.16x
Area covered (WxH)	310mm x 230mm 12.2" x 9"



### Compatibility

Mount	XF 645 Bayonet
Supported systems	XF Camera System 645 DF/DF <sup>+</sup>
2x Teleconverter	no